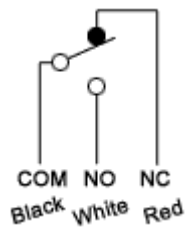


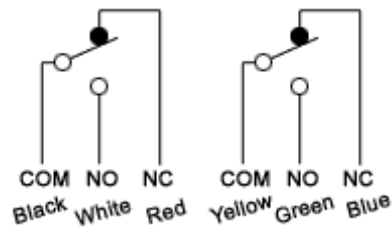
TYPE	ITEMNO	RATING	MICRO SWITCH	CABLE LENGTH	CONTACT	OPERATION FORCE	HOUSING MATERIAL
MINIATURE	MFS-1011-1	10A 250VAC	MV-300A20x 1PC	0.75mm <sup>2</sup> , 3C/1M	1A1B (1CO)	1kg	ABS PLASTIC
	MFS-1011-2	10A 250VAC	MV-300A20x 1PC	0.75mm <sup>2</sup> , 3C/2M	1A1B (1CO)	1kg	ABS PLASTIC
MINIATURE WITH LOCK	MFS-1012-1	10A 250VAC	MV-300A20x 1PC	0.75mm <sup>2</sup> , 3C/1M	1A1B (1CO)	1kg	ABS PLASTIC
	MFS-1012-2	10A 250VAC	MV-300A20x 1PC	0.75mm <sup>2</sup> , 3C/2M	1A1B (1CO)	1kg	ABS PLASTIC
LARGE TYPE	MFS-1021-1	10A 250VAC	MV-300A20x 1PC	0.75mm <sup>2</sup> , 3C/1M	1A1B (1CO)	3kg	ALUMINUM CASTING
	MFS-1021-2	10A 250VAC	MV-300A20x 1PC	0.75mm <sup>2</sup> , 3C/2M	1A1B (1CO)	3kg	ALUMINUM CASTING
	MFS-1022-1	10A 250VAC	MV-300A20x 2PC	0.75mm <sup>2</sup> , 6C/1M	2A2B (2CO)	3kg	ALUMINUM CASTING
	MFS-1022-2	10A 250VAC	MV-300A20x 2PC	0.75mm <sup>2</sup> , 6C/2M	2A2B (2CO)	3kg	ALUMINUM CASTING
	MFS-1031-1	15A 250VAC	MJ2-1704x 1PC	0.75mm <sup>2</sup> , 3C/1M	1A1B (1CO)	3kg	ALUMINUM CASTING
	MFS-1031-2	15A 250VAC	MJ2-1704x 1PC	0.75mm <sup>2</sup> , 3C/2M	1A1B (1CO)	3kg	ALUMINUM CASTING
	MFS-1032-1	15A 250VAC	MJ2-1704x 2PC	0.75mm <sup>2</sup> , 6C/1M	2A2B (2CO)	3kg	ALUMINUM CASTING
	MFS-1032-2	15A 250VAC	MJ2-1704x 2PC	0.75mm <sup>2</sup> , 6C/2M	2A2B (2CO)	3kg	ALUMINUM CASTING

**CIRCUITRY:**

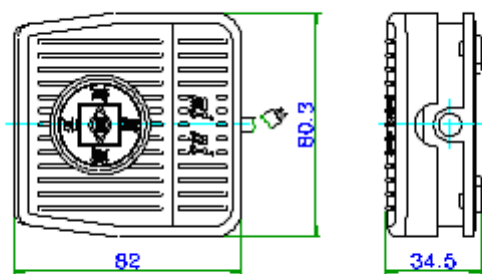
**3C(3Cables)**



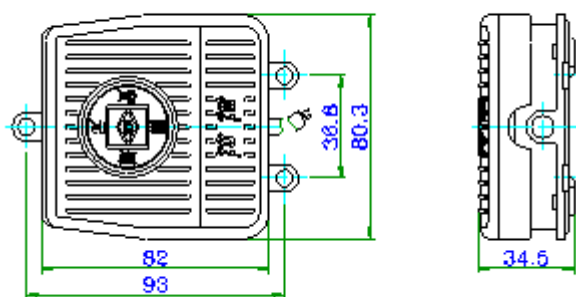
**6C(6Cables)**



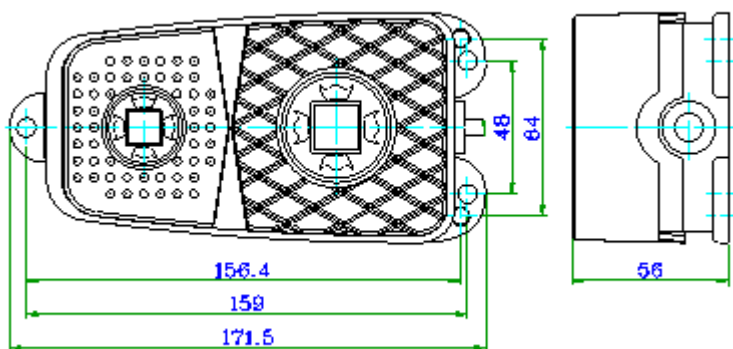
**(CONTINUE TOPAGE2FORMECHANICALDIMENSIONS)**



**MFS-1011SERIES**



**MFS-1012SERIES**



**MFS-1021,1022,1031,1032SERIES**

