

MJ3-5 Series

Basic Limit Switch

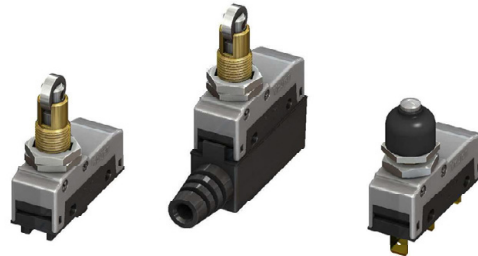
◆ Features

- ✓ Positive Opening Basic Switch
- ✓ Small and compact body type
- ✓ Sturdy hard plastic enclosure with glass fiber mix
- ✓ Double silver-nickel alloy contacts; lower chance of failure
- ✓ IP65 variants have additional O-ring seal installed inside actuator; prevents elements from seeping in via actuator head

⚠ Products are not guaranteed IP65 if using WITHOUT fitting terminal covers (sold separately).

◆ Recognition(s)

- ✓ CE – EN60947
- ✓ RoHS compliant
- ✓ Reach Unaffected



◆ Characteristics

Positive Opening	Electrical Contact	Terminal Type	Contact Form(s)	Poles & Throws	Actuation Sequence(s)
Yes	3 Points	Screw or Quick connect (#250)	Form C	SPDT	Break(1) Make(2)

Operating Temp.	AC Rated	DC Rated	IP	Oil Resist	Dust Resist	Water Resist	Operating Speed
-25 to 80 C	5A 250V	4A 24V, 1.1A 125V, 0.4A 250V	40, 65	Yes & No	Yes & No	Yes & No	0.01mm to 1m/sec

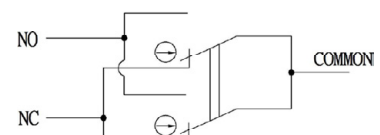
Operation Frequency	Contact Resistance	Insulation Resistance	Vibration
Mechanically: 60/min Electrically: 30/min	15mΩ max. (initial)	100MΩ min. (500VDC)	1.5mm amplitude at 55Hz

Storage Humidity	Service Life (min.)	Dielectric Strength
85% RH max	Mechanically: 10,000,000 operations Electrically: 500,000 operations	1000VAC, 50/60Hz for 1 minute between non-continuous terminals 2000VAC, 50/60Hz for 1 minute between current-carry part and ground

Recommended tightening forces

Purpose	Screw type	Tightening
Mounting	M4	0.8~1.2 N·m
Panel Mount Screw Nut		2.94~4.92 N·m
Screw terminal		0.25±0.05 N·m

Circuitry

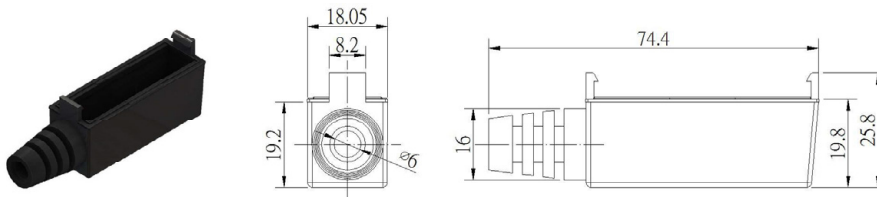


◆ Materials

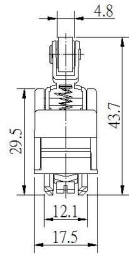
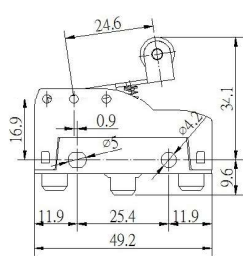
Actuation touch part	Electrical contact point	Enclosure
Stainless Steel, or Teflon, or POM	Silver 99.9%	PBT plastic with glass fiber

◆ Nomenclature

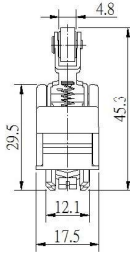
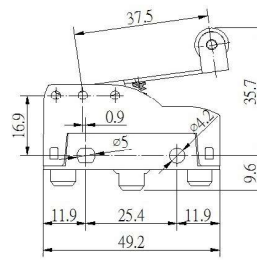
Series:	Terminal Type:	Actuator Protection:	Actuator:
MJ3 –	51	1	101
	51 = Screw 52 = Quick connect #250 53 = <i>bent</i> Quick connect #250	1 = IP40 2 = IP65	101 = Metallic pin plunger 102 = Metallic plunger, slim 103 = Metallic plunger, short 104 = Metallic plunger 105 = Metallic plunger, sealed (IP65) 106 = Metallic Lever, short 107 = Metallic Lever 108 = Metallic Lever, long 109 = Metallic roller lever, short 110 = Metallic roller lever 111 = Metallic roller lever, long 112 = Simulated metallic roller lever 113 = Teflon plunger, short 114 = Teflon plunger 115 = Teflon plunger, sealed (IP65) 119 = POM roller lever, short 120 = POM roller lever 121 = POM roller lever, long 122 = Metallic roller plunger 123 = Metallic roller plunger, cross 124 = POM roller lever, short, 1-way act 125 = Metallic Lever w/ adjustable plunger 126 = Metallic cat whisker wire lever 132 = Nylon roller plunger 133 = Nylon roller plunger, cross 134 = POM roller lever, long, 1-way act



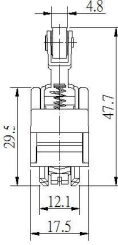
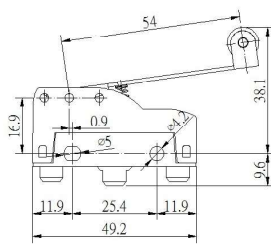
MJ3-CB5 terminal protection cover

MJ3-5


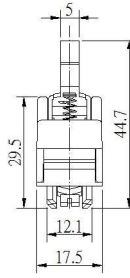
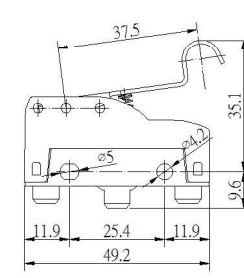
MJ3-511109	
OF MAX	166g
RF MIN	128g
PT MAX	3.5mm
OT MIN	4.5mm
DT MAX	0.4mm
FP MAX	34.1mm
OP	30.6±1mm



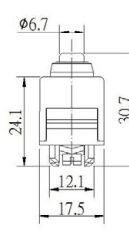
MJ3-511110	
OF MAX	109g
RF MIN	84g
PT MAX	5.3mm
OT MIN	5.7mm
DT MAX	0.6mm
FP MAX	35.7mm
OP	30.4±1mm



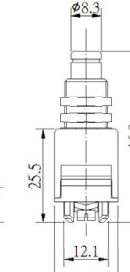
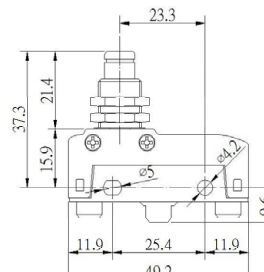
MJ3-511111	
OF MAX	76g
RF MIN	58g
PT MAX	7.7mm
OT MIN	8.9mm
DT MAX	0.9mm
FP MAX	38.1mm
OP	30.4±1mm



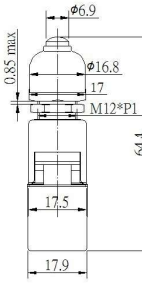
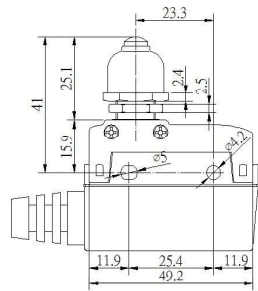
MJ3-511112	
OF MAX	160g
RF MIN	135g
PT MAX	3.5mm
OT MIN	5.6mm
DT MAX	0.4mm
FP MAX	35.1mm
OP	30.6±1mm



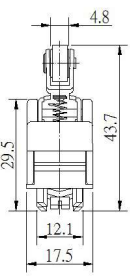
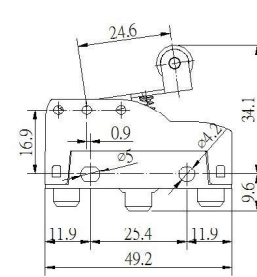
MJ3-511113	
OF MAX	400g
RF MIN	300g
PT MAX	0.5mm
OT MIN	2mm
DT MAX	0.05mm
FP MAX	31mm
OP	30.5±1mm



MJ3-511114	
OF MAX	400g
RF MIN	300g
PT MAX	0.5mm
OT MIN	2mm
DT MAX	0.05mm
FP MAX	37.3mm
OP	36.8±1mm



MJ3-512115	
OF MAX	600g
RF MIN	400g
PT MAX	0.6mm
OT MIN	5.4mm
DT MAX	0.05mm
FP MAX	41mm
OP	40.4±1mm



MJ3-511119	
OF MAX	166g
RF MIN	128g
PT MAX	3.5mm
OT MIN	4.5mm
DT MAX	0.4mm
FP MAX	34.1mm
OP	30.6±1mm

MJ3-511109

MJ3-511110

MJ3-511111

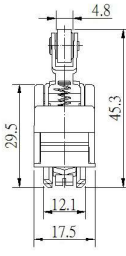
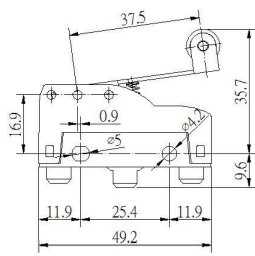
MJ3-511112

MJ3-511113

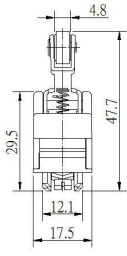
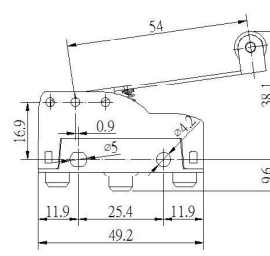
MJ3-511114

MJ3-512115

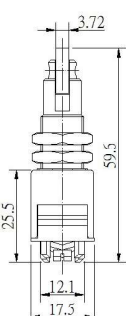
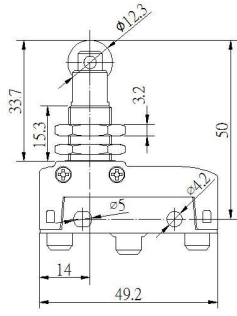
MJ3-511119


MJ3-5


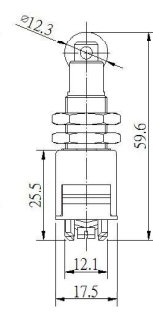
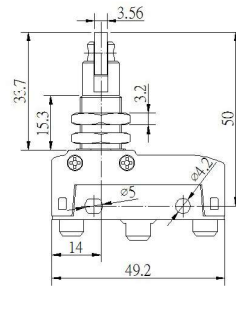
	MJ3-511120
OF MAX	109g
RF MIN	84g
PT MAX	5.3mm
OT MIN	5.7mm
DT MAX	0.6mm
FP MAX	35.7mm
OP	30.4±1mm



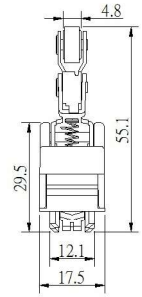
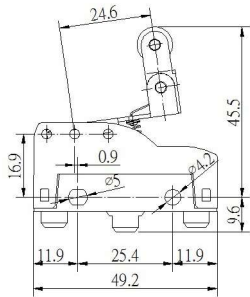
	MJ3-511121
OF MAX	76g
RF MIN	58g
PT MAX	7.7mm
OT MIN	8.9mm
DT MAX	0.9mm
FP MAX	38.1mm
OP	30.4±1mm



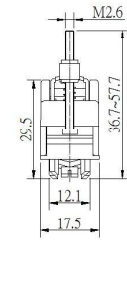
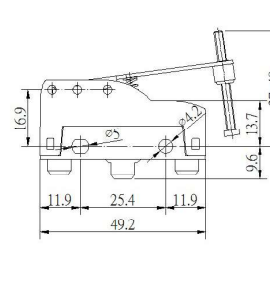
	MJ3-511122
OF MAX	400g
RF MIN	300g
PT MAX	0.5mm
OT MIN	5.5mm
DT MAX	0.05mm
FP MAX	50mm
OP	49.5±1mm



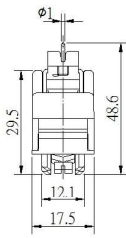
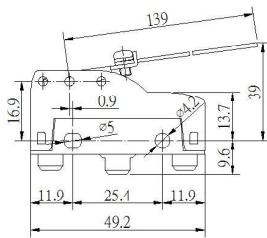
	MJ3-511123
OF MAX	400g
RF MIN	300g
PT MAX	0.5mm
OT MIN	5.5mm
DT MAX	0.05mm
FP MAX	50mm
OP	49.5±1mm



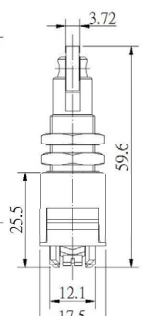
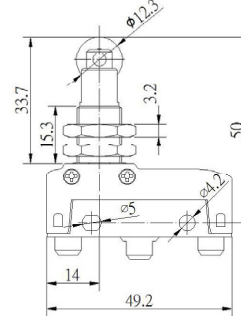
	MJ3-511124
OF MAX	166g
RF MIN	128g
PT MAX	3.5mm
OT MIN	4.5mm
DT MAX	0.4mm
FP MAX	34.1mm
OP	30.6±1mm



	MJ3-511125
OF MAX	76g
RF MIN	58g
PT MAX	7.7mm
OT MIN	8.3mm
DT MAX	0.9mm
FP MAX	27-48mm
OP	31±10mm



	MJ3-511126
OF MAX	8g
RF MIN	4g
PT MAX	19mm
OT MIN	9.5mm
DT MAX	2.3mm
FP MAX	39mm
OP	20±1mm



	MJ3-511132
OF MAX	400g
RF MIN	300g
PT MAX	0.5mm
OT MIN	5.5mm
DT MAX	0.05mm
FP MAX	50mm
OP	49.5±1mm

MJ3-511120

MJ3-511121

MJ3-511122

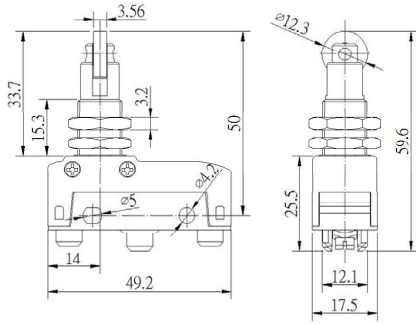
MJ3-511123

MJ3-511124

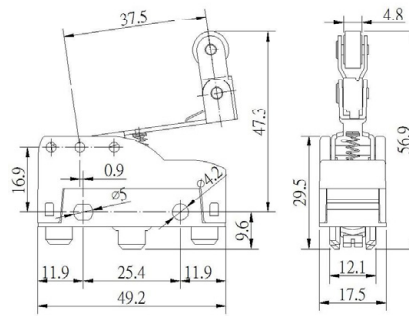
MJ3-511125

MJ3-511126

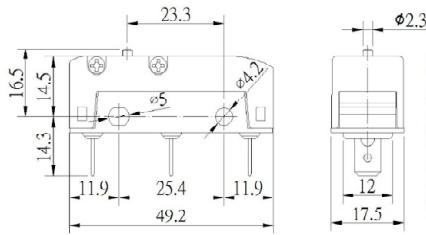
MJ3-511132


MJ3-5


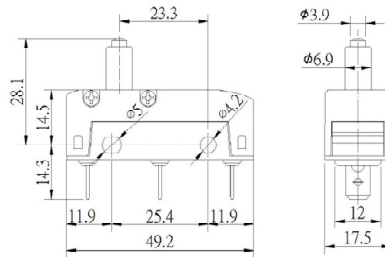
MJ3-511133	
OF MAX	400g
RF MIN	300g
PT MAX	0.5mm
OT MIN	5.5mm
DT MAX	0.05mm
FP MAX	50mm
OP	49.5±1mm



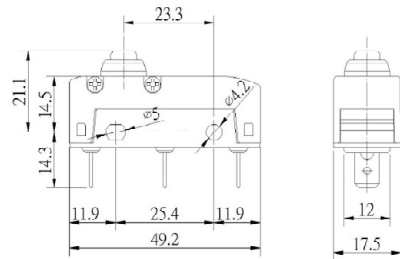
MJ3-511134	
OF MAX	166g
RF MIN	128g
PT MAX	3.5mm
OT MIN	4.5mm
DT MAX	0.4mm
FP MAX	34.1mm
OP	30.6±1mm



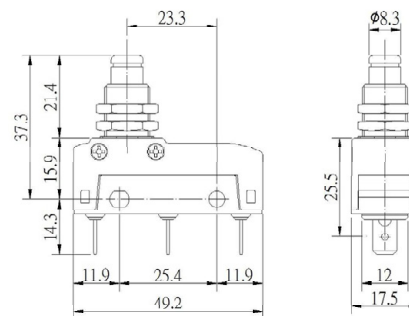
MJ3-521101	
OF MAX	400g
RF MIN	300g
PT MAX	0.5mm
OT MIN	1.5mm
DT MAX	0.05mm
FP MAX	16.5mm
OP	16±1mm



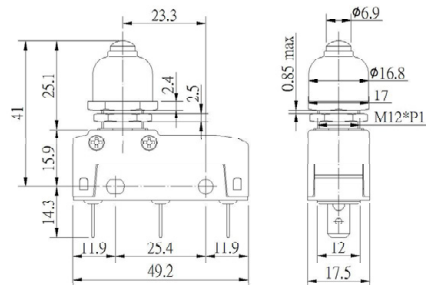
MJ3-521102	
OF MAX	400g
RF MIN	300g
PT MAX	0.5mm
OT MIN	1.5mm
DT MAX	0.05mm
FP MAX	16.5mm
OP	16±1mm



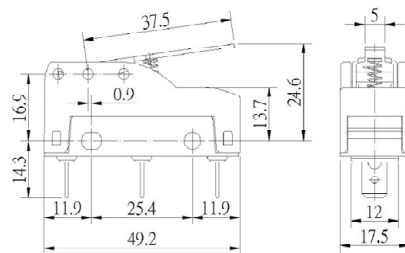
MJ3-521103	
OF MAX	400g
RF MIN	300g
PT MAX	0.5mm
OT MIN	1.5mm
DT MAX	0.05mm
FP MAX	16.5mm
OP	16±1mm



MJ3-521104	
OF MAX	400g
RF MIN	300g
PT MAX	0.5mm
OT MIN	2mm
DT MAX	0.05mm
FP MAX	37.3mm
OP	36.8±1mm



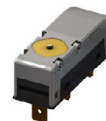
MJ3-522105	
OF MAX	600g
RF MIN	400g
PT MAX	0.6mm
OT MIN	5.4mm
DT MAX	0.05mm
FP MAX	41mm
OP	40.4±1mm



MJ3-521106	
OF MAX	95g
RF MIN	82g
PT MAX	5.5mm
OT MIN	6.1mm
DT MAX	0.6mm
FP MAX	24.6mm
OP	19±1mm

MJ3-511133

MJ3-511134

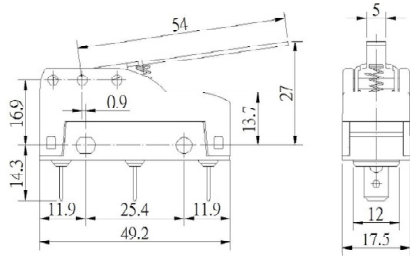
MJ3-521101

MJ3-521102

MJ3-521103

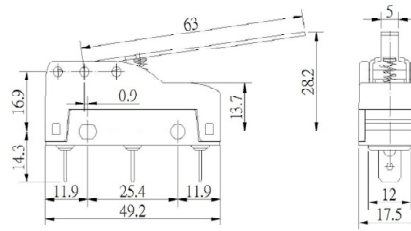
MJ3-521104

MJ3-522105

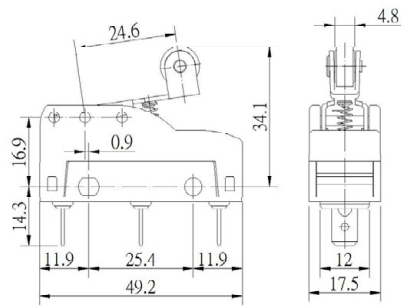
MJ3-521106

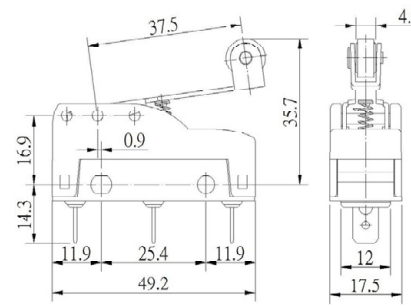
MJ3-521107	
OF MAX	76g
RF MIN	58g
PT MAX	7.7mm
OT MIN	8.3mm
DT MAX	0.9mm
FP MAX	27mm
OP	19.3±1mm



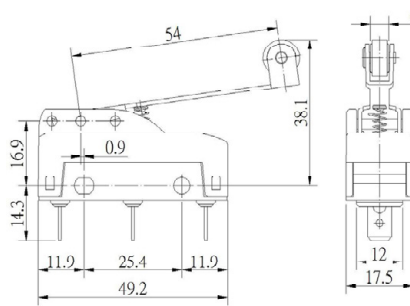
MJ3-521108	
OF MAX	65g
RF MIN	50g
PT MAX	9mm
OT MIN	10mm
DT MAX	1.1mm
FP MAX	28.2mm
OP	19.2±1mm



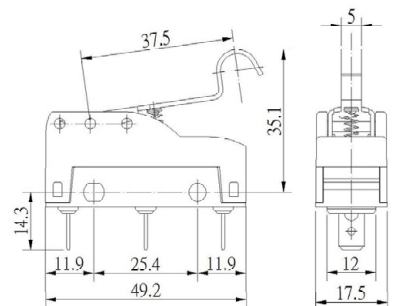
MJ3-521109	
OF MAX	166g
RF MIN	128g
PT MAX	3.5mm
OT MIN	4.5mm
DT MAX	0.4mm
FP MAX	34.1mm
OP	30.6±1mm



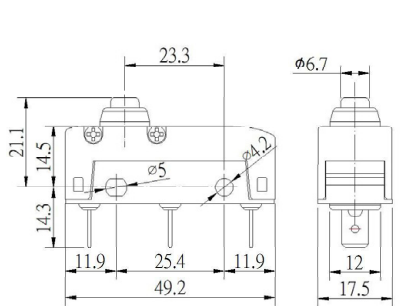
MJ3-521110	
OF MAX	109g
RF MIN	84g
PT MAX	5.3mm
OT MIN	5.7mm
DT MAX	0.6mm
FP MAX	35.7mm
OP	30.4±1mm



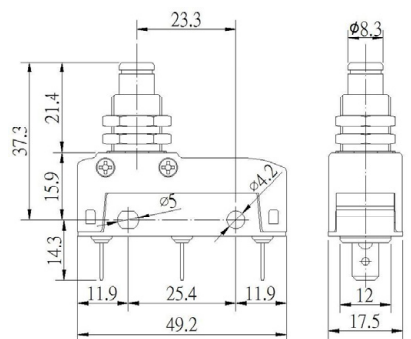
MJ3-521111	
OF MAX	76g
RF MIN	58g
PT MAX	7.7mm
OT MIN	8.9mm
DT MAX	0.9mm
FP MAX	38.1mm
OP	30.4±1mm



MJ3-521112	
OF MAX	160g
RF MIN	135g
PT MAX	3.5mm
OT MIN	5.6mm
DT MAX	0.4mm
FP MAX	35.1mm
OP	30.6±1mm



MJ3-521113	
OF MAX	400g
RF MIN	300g
PT MAX	0.5mm
OT MIN	2mm
DT MAX	0.05mm
FP MAX	31mm
OP	30.5±1mm



MJ3-521114	
OF MAX	400g
RF MIN	300g
PT MAX	0.5mm
OT MIN	2mm
DT MAX	0.05mm
FP MAX	37.3mm
OP	36.8±1mm

MJ3-521107



MJ3-521108



MJ3-521109



MJ3-521110



MJ3-521111



MJ3-521112

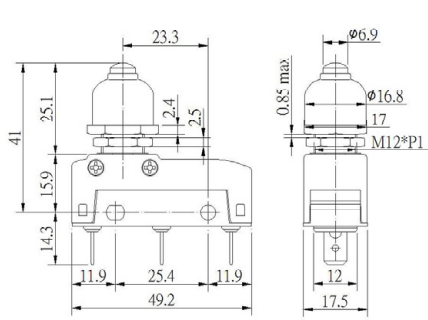


MJ3-521113

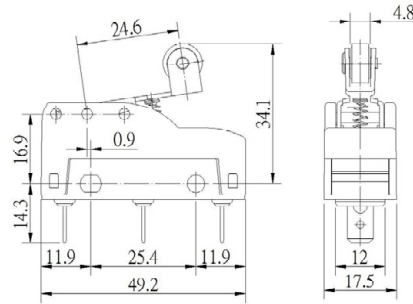


MJ3-521114

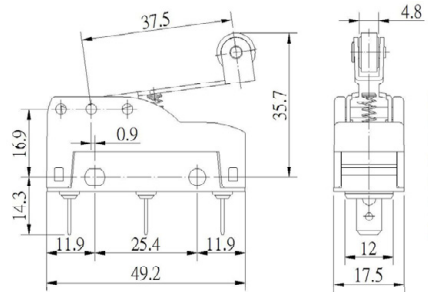


MJ3-5


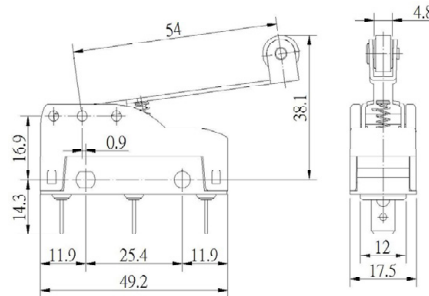
MJ3-522115	
OF MAX	600g
RF MIN	400g
PT MAX	0.6mm
OT MIN	5.4mm
DT MAX	0.05mm
FP MAX	41mm
OP	40.4±1mm



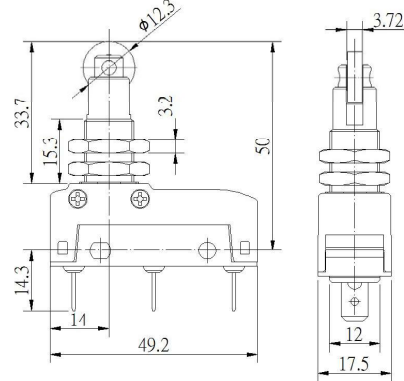
MJ3-521119	
OF MAX	166g
RF MIN	128g
PT MAX	3.5mm
OT MIN	4.5mm
DT MAX	0.4mm
FP MAX	34.1mm
OP	30.6±1mm



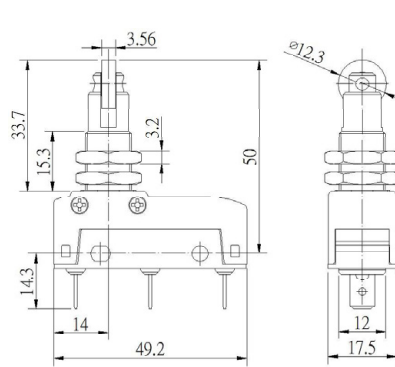
MJ3-521120	
OF MAX	109g
RF MIN	84g
PT MAX	5.3mm
OT MIN	5.7mm
DT MAX	0.6mm
FP MAX	35.7mm
OP	30.4±1mm



MJ3-521121	
OF MAX	76g
RF MIN	58g
PT MAX	7.7mm
OT MIN	8.9mm
DT MAX	0.9mm
FP MAX	38.1mm
OP	30.4±1mm



MJ3-521122	
OF MAX	400g
RF MIN	300g
PT MAX	0.5mm
OT MIN	5.5mm
DT MAX	0.05mm
FP MAX	50mm
OP	49.5±1mm



MJ3-521123	
OF MAX	400g
RF MIN	300g
PT MAX	0.5mm
OT MIN	5.5mm
DT MAX	0.05mm
FP MAX	50mm
OP	49.5±1mm

MJ3-522115

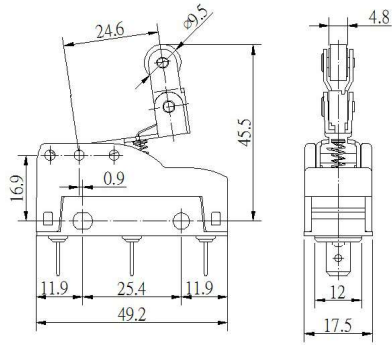
MJ3-521119

MJ3-521120

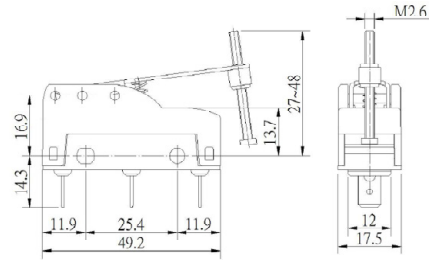
MJ3-521121

MJ3-521122

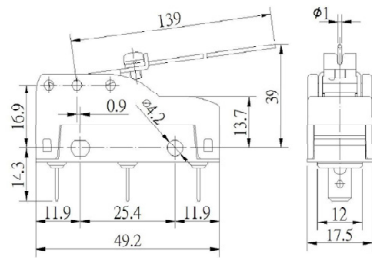
MJ3-521123

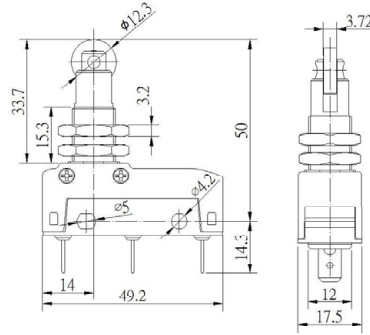
MJ2-521124	
OF MAX	166g
RF MIN	128g
PT MAX	3.5mm
OT MIN	4.5mm
DT MAX	0.4mm
FP MAX	34.1mm
OP	30.6±1mm



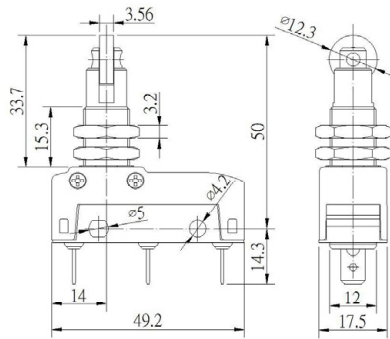
MJ3-521125	
OF MAX	76g
RF MIN	58g
PT MAX	7.7mm
OT MIN	8.3mm
DT MAX	0.9mm
FP MAX	27-48mm
OP	31±10mm



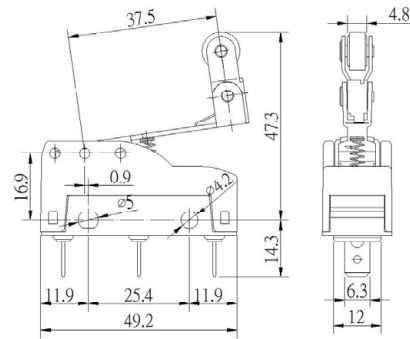
MJ3-521126	
OF MAX	8g
RF MIN	4g
PT MAX	19mm
OT MIN	9.5mm
DT MAX	2.3mm
FP MAX	39mm
OP	20±1mm



MJ3-521132	
OF MAX	400g
RF MIN	300g
PT MAX	0.5mm
OT MIN	5.5mm
DT MAX	0.05mm
FP MAX	50mm
OP	49.5±1mm



MJ3-521133	
OF MAX	400g
RF MIN	300g
PT MAX	0.5mm
OT MIN	5.5mm
DT MAX	0.05mm
FP MAX	50mm
OP	49.5±1mm



MJ3-521134	
OF MAX	166g
RF MIN	128g
PT MAX	3.5mm
OT MIN	4.5mm
DT MAX	0.4mm
FP MAX	34.1mm
OP	30.6±1mm

MJ3-521124

MJ3-521125

MJ3-521126

MJ3-521132

MJ3-521133

MJ3-521134
