

## MST Series 3-in-1

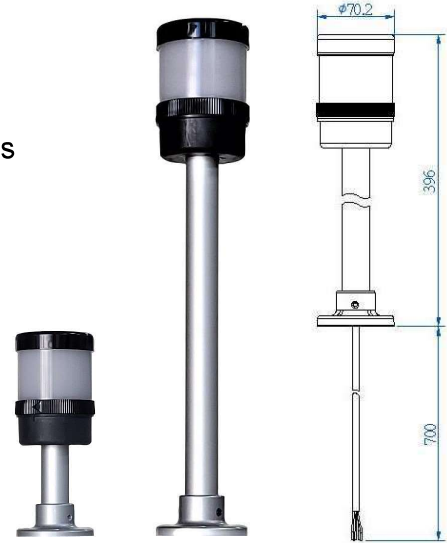
### 1-layer multi-function Tower Lights

◆ Features

- ✓ 3\*LED colors plus optional buzzer in All-in-1 unit
- ✓ Piezoelectric buzzers
- ✓ Made with durable material for industrial environments
- ✓ Multiple types of base mounting
- ✓ IP65 protection
- ✓ E250011 20AWG cable

◆ Recognition(s)

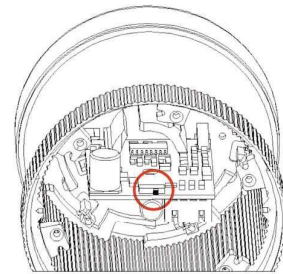
- ✓ CE – EN60947
- ✓ RoHS Compliant
- ✓ Reach Unaffected



◆ Characteristics

	LED <b>without</b> buzzer		LED <b>with</b> buzzer	
	Permanent	Blinking	Permanent	Blinking
LED lighting	Permanent	Blinking	Permanent	Blinking
Rated voltage	24VDC	24VDC	24VDC	24VDC
Green LED	≤73mA	33 to 73mA	≤73mA	33 to 73mA
Yellow LED	≤123mA	55 to 123mA	≤123mA	55 to 123mA
Red LED	≤125mA	33 to 135mA	≤140mA	33 to 156mA
Function switch position	Left	Right	Left	Right
Tone	n/a	n/a	2.8kHz	0.9kHz
Sound decibel	n/a	n/a	95 dB	95 dB

Life expectancy	100,000 hours
Operating temperature	-20°C to +50°C
Diameter	ø70mm
Unit only Dimensions	96mm Total
Unit w/ 1M, 2M cable	1096mm, 2096mm Total
Certified Standards	CE
Ingress protection	IP65

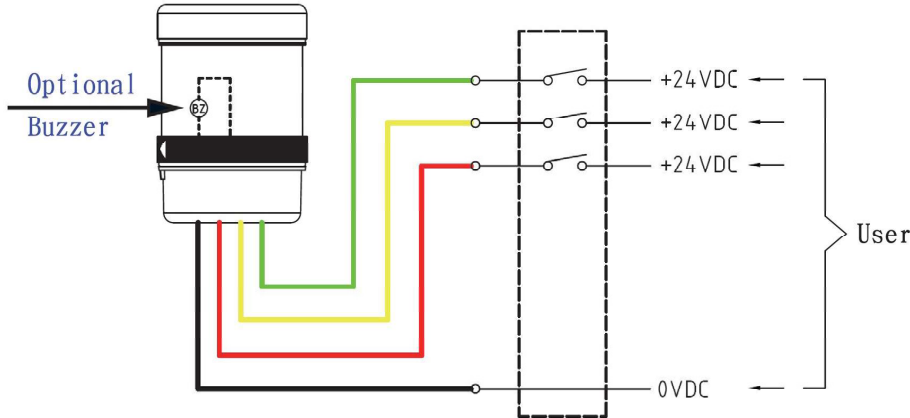


Function select switch

◆ Materials

Unit Enclosure (Lens & cap)	Unit Enclosure (base)	Pole
PC plastic	Nylon (PA66) + Glass Fiber	Aluminium

### ◆ Wiring Schematic



⚠ Color of wire represents LED color illumination.

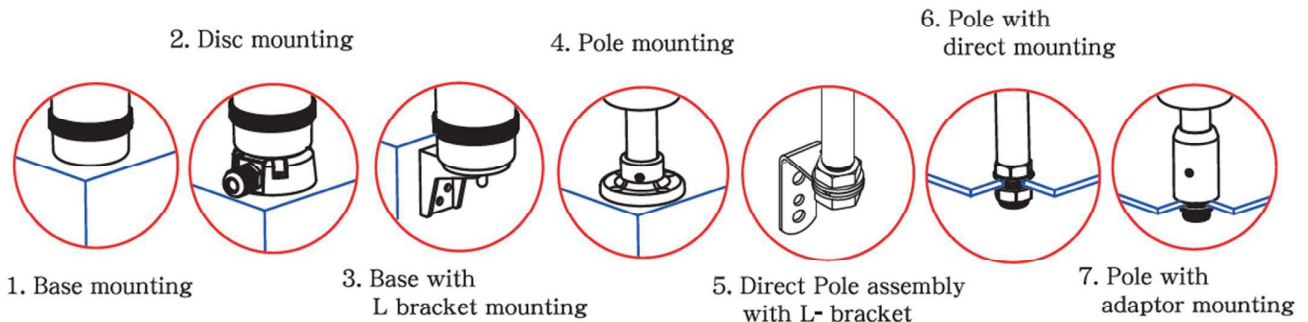
⚠ Only one color illumines at one time.

### ◆ Nomenclature

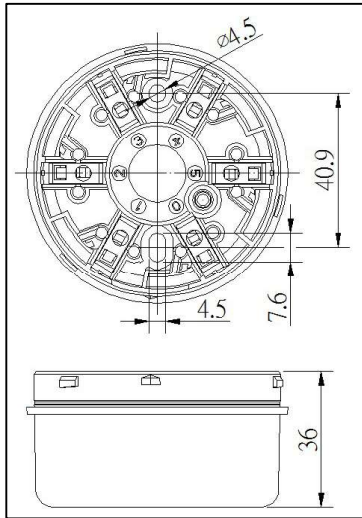
Dimension:	Layers:	Voltage:	Mounting:	Function:	Unit base & cap color:	Lens type:	Colors	Cable Length:
MST - 7	1	2	BM	53	K	7	RYG	2
7 = $\varnothing$ 70mm	1 = 1 layer	2 = 24VDC	BM = Base mount DM = Disc mount LB = Base w/ L bracket PM = Pole mount AL = Direct pole w/ L bracket PD = Pole w/ direct mount PA = Pole w/ Adapter	50 = 3in1, w/o pole, w/o buzzer 53 = 3in1+30cm pole, w/o buzzer 55 = 3in1, w/o pole, +buzzer 58 = 3in1+30cm pole+buzzer	W = White S = Dark silver K = Black *Mount color will be the same color as what's chosen here.  SPECIAL KS = Black unit & cap w/ silver mount	7 = Translucent 8 = Transparent	RYG = Red, Yellow, & Green	1 = 1 meter 2 = 2 meter

⚠ BM,DM,LB mount types do not come with poles

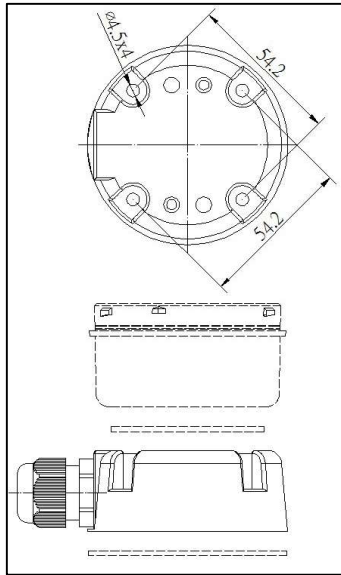
### ◆ Mounting Types & Dimensions



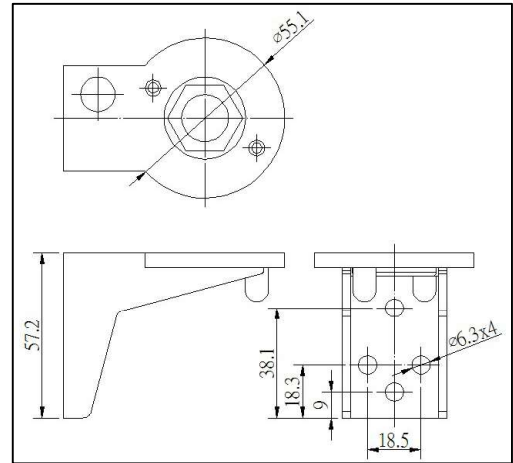
Mount materials			
1. BM = Base mounting = PA66+Glass fiber	2. DM = Disc mounting = PA66+Glass fiber	3. LB = Base w/ L bracket = PA66+Glass fiber	4. PM = Pole mounting = Zinc Alloy
5. AL = Direct pole w/ L bracket = Aluminium pole with steel L bracket	6. PD = Pole w/ direct mount = Aluminium	7. PA = Pole w/ adaptor = Aluminium	



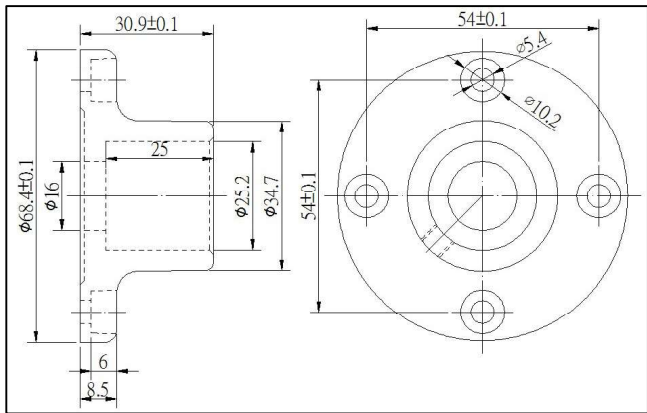
**BM=Base Mount**



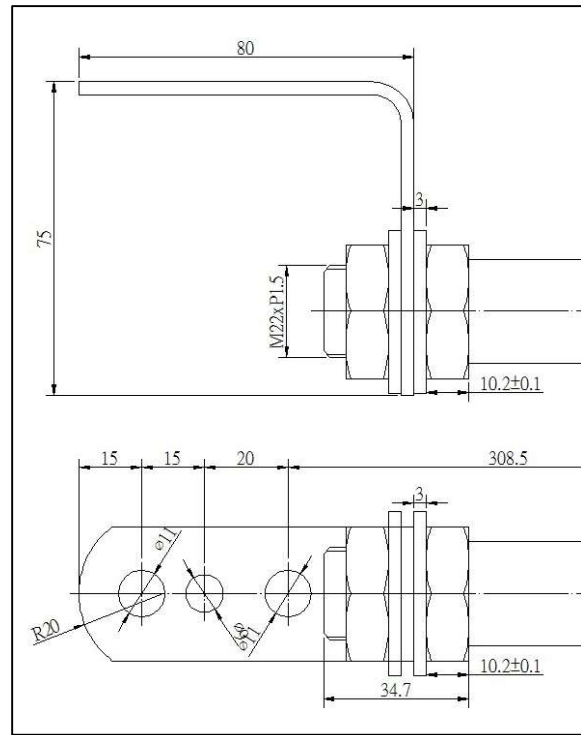
**DM=Disc Mount**



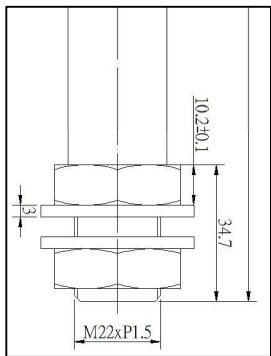
**LB=Base w/ L bracket**



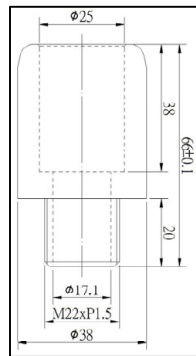
**PM=Pole Mount**



**AL=Direct pole w/ L bracket**

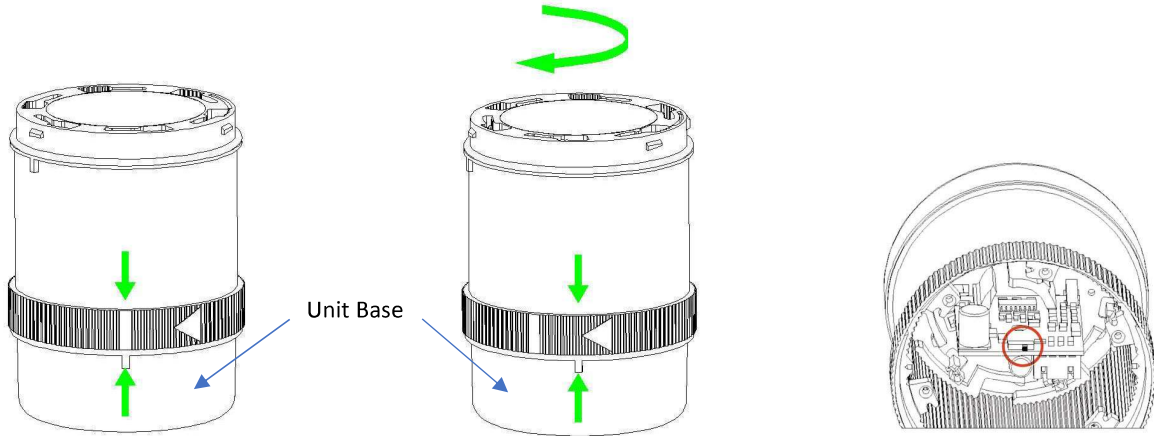


**PD=Pole w/ direct mount**



**PA=Pole w/ adaptor**




◆ Assembling and Disassembling the unit



1. Find the white line mark at the mid-section of the unit.

2. Twisting clockwise will loosen the unit for separation. Thus, exposing the internal components and wires for configurations.

*Located here (red circle) is the selector to switch between different modes of function.*

-  Preforming these steps in reverse will tighten the unit
-  Be sure not to over-tighten, otherwise damage to the unit might occur.
-  Be sure not to over-tighten, otherwise the O-ring maybe damaged.

## MST Series

### Multi-layer Modular Tower Lights

◆ Features

- ✓  $\varnothing$ 70mm diameter units
- ✓ Max 5 modular layers for flexible customization
- ✓ Red, Yellow, Green, and Blue LED colors
- ✓ Piezoelectric buzzers
- ✓ Made with durable material for industrial environments
- ✓ Multiple types of base mounting
- ✓ IP65 protection
- ✓ E250011 20AWG cable

◆ Recognition(s)

- ✓ CE – EN60947
- ✓ RoHS Compliant
- ✓ Reach Unaffected

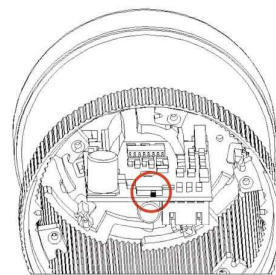
◆ Characteristics



Modular Units	LED units		BUZZER units	
	Rated voltage	24VDC	100~240VAC	24VDC
Current Consumption	$\leq$ 50mA	$\leq$ 40mA	$\leq$ 50mA	$\leq$ 30mA

Functions	Toggle LEFT	Toggle RIGHT
Blink/Perm. LED	Moderate blinking	Permanent
Dual Flash LED	Fast flashing	Slow flashing
Buzzer	2.8kHz, 102dB	0.9kHz, 96dB

Life expectancy	100,000 hours
Operating temperature	-20°C to +50°C
Diameter	$\varnothing$ 70mm
Single Unit height	96mm
Certified Standards	CE
Ingress protection	IP65

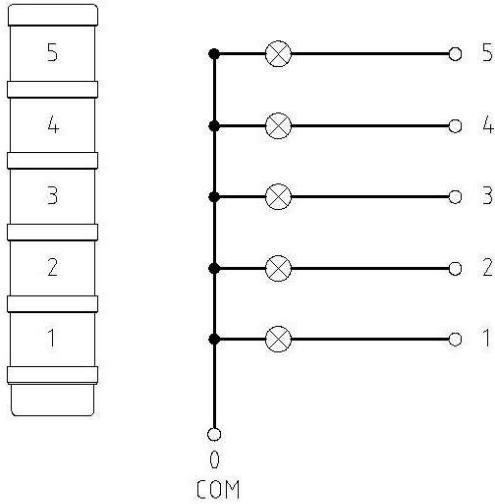


Function select switch

◆ Materials

Unit Enclosure (Lens & cap)	Unit Enclosure (base)	Pole
PC plastic	Nylon (PA66) + Glass Fiber	Aluminium

### ◆ Wiring Schematic



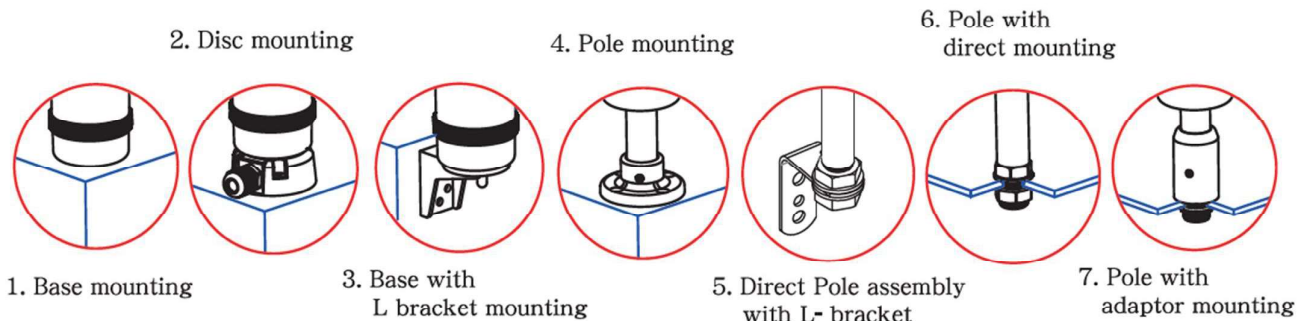
Base unit internal

### ◆ Nomenclature

Dimension:	Layers:	Voltage:	Mounting:	Function:	Unit base & cap color:	Lens type:	Colors	Cable Length:
<b>MST-7</b>	<b>4</b>	<b>2</b>	<b>BM</b>	<b>28</b>	<b>K</b>	<b>7</b>	<b>RYG</b>	<b>2</b>
7 = $\varnothing$ 70mm	1 = 1 layer 2 = 2 layers 3 = 3 layers 4 = 4 layers 5 = 5 layers	2 = 24VDC 3 = 100~240VAC	BM = Base mount DM = Disc mount LB = Base w/ L bracket PM = Pole mount AL = Direct pole w/ L bracket PD = Pole w/ direct mount PA = Pole w/ Adapter	06 = Buzzer 13 = Blink/Perm.+30cm pole 28 = Blink/Perm.+Buzzer+30cm pole 33 = Dual Flash+30cm pole 38 = Dual Flash+Buzzer+30cm pole	W = White S = Dark silver K = Black <i>*Mount color will be the same color as what's chosen here.</i>	7 = Translucent 8 = Transparent	R = Red Y = Yellow G = Green U = Blue	1 = 1 meter 2 = 2 meter

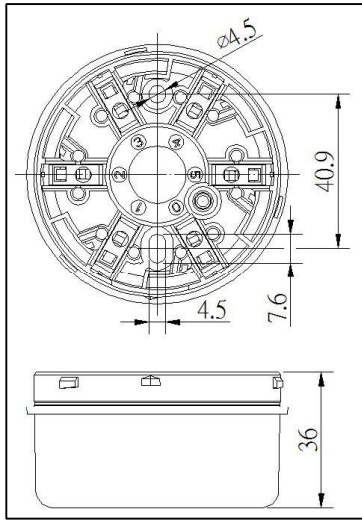
⚠ BM,DM,LB mount types do not come with poles

### ◆ Mounting Types & Dimensions

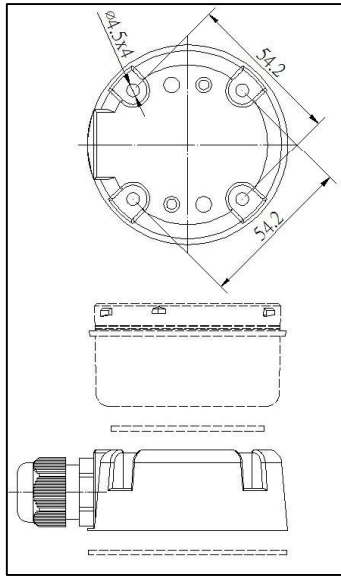


Mount materials			
1. BM = Base mounting = PA66+Glass fiber	2. DM = Disc mounting = PA66+Glass fiber	3. LB = Base w/ L bracket = PA66+Glass fiber	4. PM = Pole mounting = Zinc Alloy
5. AL = Direct pole w/ L bracket = Aluminium pole with steel L bracket		6. PD = Pole w/ direct mount = Aluminium	7. PA = Pole w/ adaptor = Aluminium

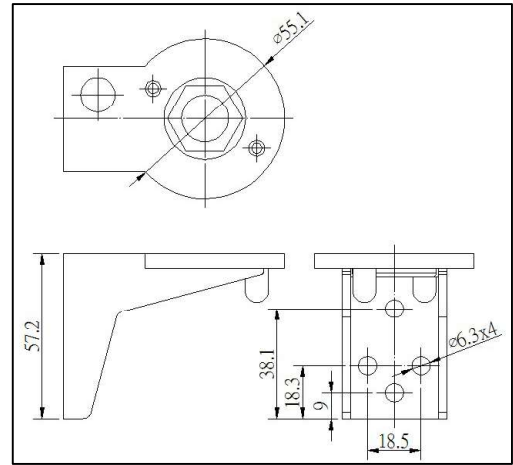
**MST**



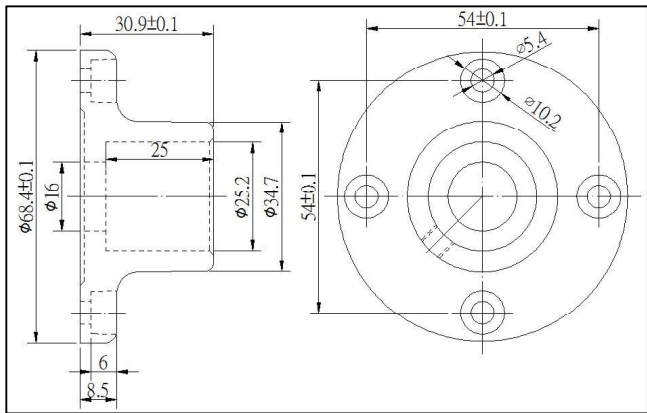
**BM=Base Mount**



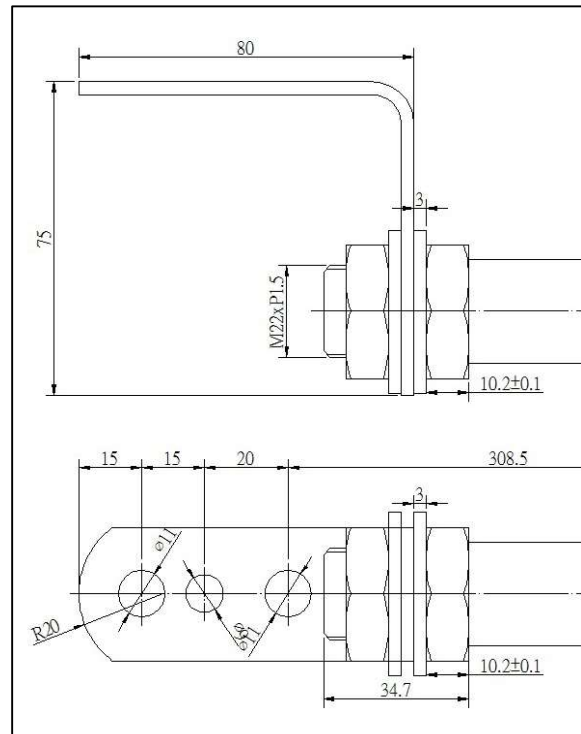
**DM=Disc Mount**



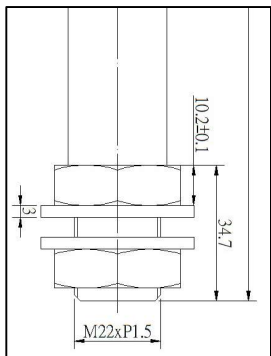
**LB=Base w/ L bracket**



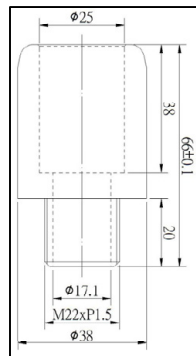
**PM=Pole Mount**



**AL=Direct pole w/ L bracket**

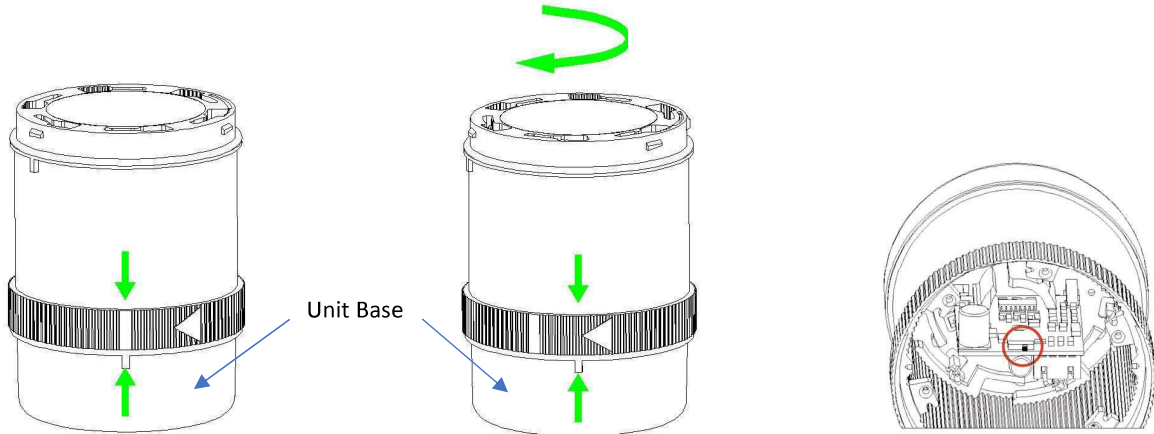


**PD=Pole w/ direct mount**



**PA=Pole w/ adaptor**




◆ Assembling and Disassembling the unit



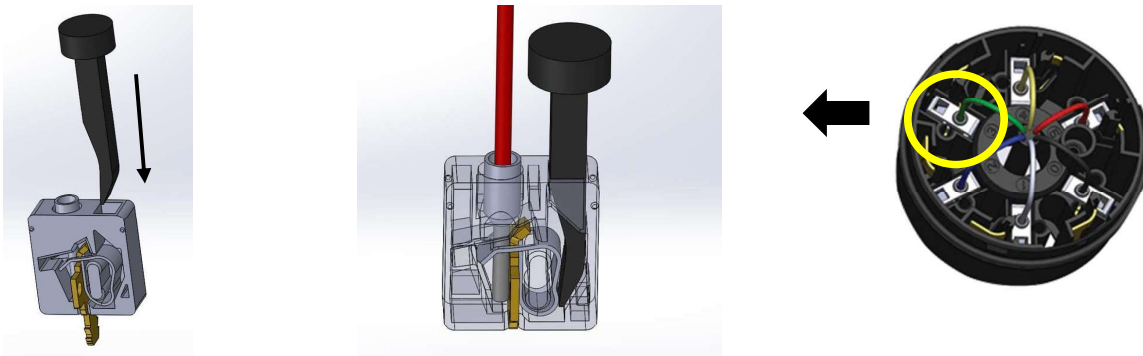
1. Find the white line mark at the mid-section of the unit.

2. Twisting clockwise will loosen the unit for separation. Thus, exposing the internal components and wires for configurations.

*Located here (red circle) is the selector to switch between different modes of function.*



-  Preforming these steps in reverse will tighten the unit.
-  Be sure not to over-tighten, otherwise damage to the unit might occur.
-  Be sure not to over-tighten, otherwise the O-ring maybe damaged.

◆ Inserting wires



1. Insert pin tool into slot behind wire insertion hole. This opens clamp to insert desired wire in the front.

2. Insert wire securely. Once secure, release pin tool for clamp to engage with wire.

-  DO NOT USE excessive force when installing wires.
-  DO NOT USE non-compliant pin tools to install wires, doing so damages the unit.