



◆ Materials

Actuation touch part	Electrical contact point	Enclosure
Stainless Steel SUS304 (Levers), or V-0 PC Plastic (Plunger), or POM, black (Rollers)	Silver 99.9% or Gold plated silver	PC Plastic

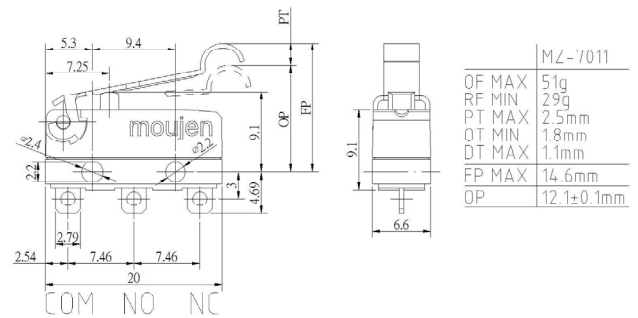
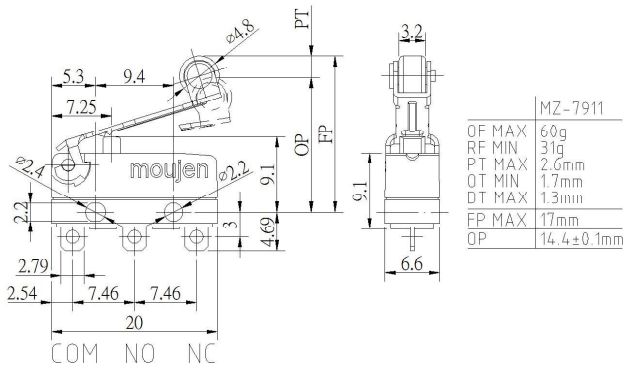
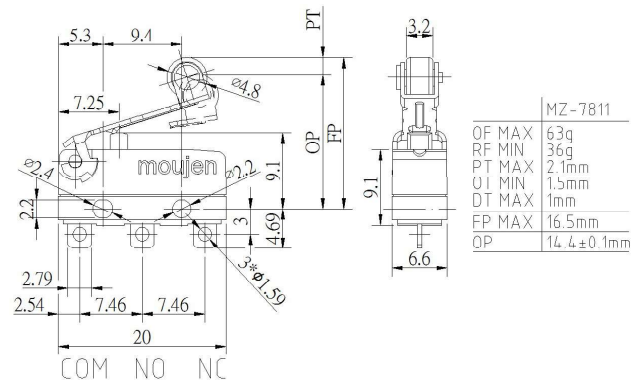
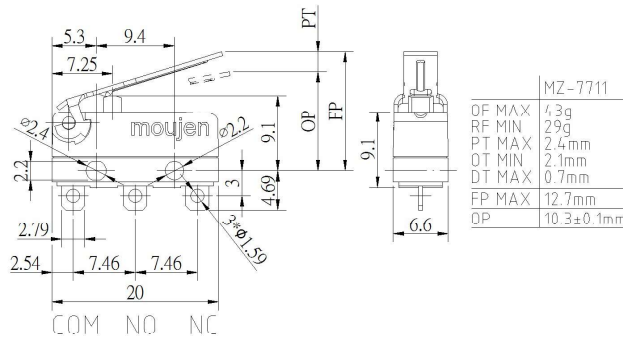
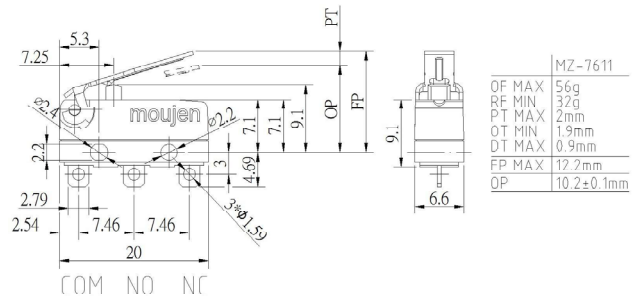
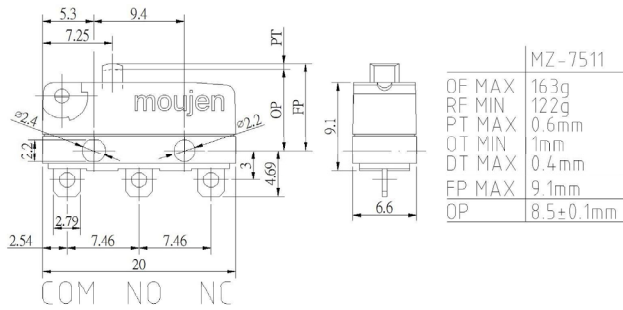
◆ Nomenclature

Series:	Actuator:	Contact material:	IP-rating:	Terminals:	Wire Specification:
<b>MZ – 7</b>	<b>5</b>	<b>1</b>	<b>3</b>	<b>R</b>	<b>U</b>
	5 = V-0 PC plastic plunger 6 = SUS304 Lever 7 = SUS304 Lever, long 8 = POM Roller lever 9 = POM Roller lever, long 0 = SUS304 Simulated roller lever	1=Silver 2=Gold plated silver	1=IP40 2=IP60 3=IP67 4=IP67 with PVC tube	Blank=Quick connect (#110) Only applicable for IP40, IP60  <u>3C Wires</u> R=Right side L=Left side B=Bottom Only applicable for IP67	S=Standard U=UL Only applicable for IP67

### ◆ Dimensions & Operating Characteristics

\*Measurements in millimeters

#### IP 40 Variants



MZ-7511



MZ-7611



MZ-7711



MZ-7811



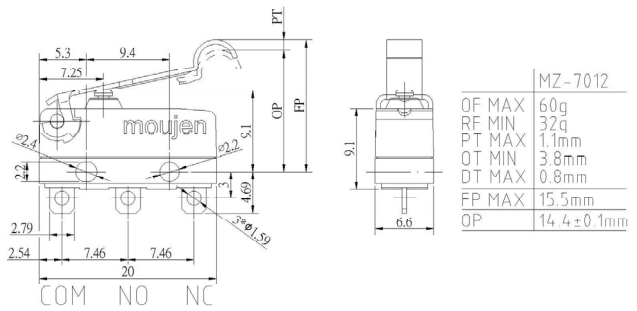
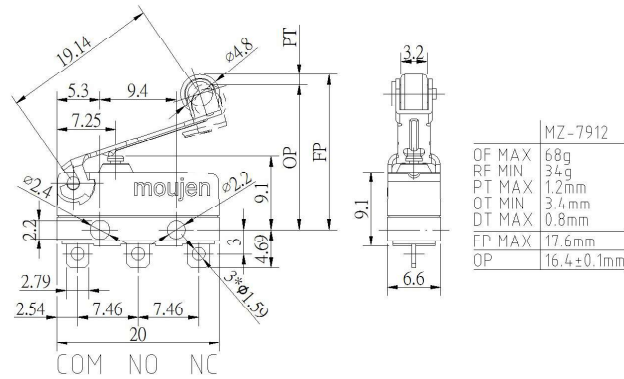
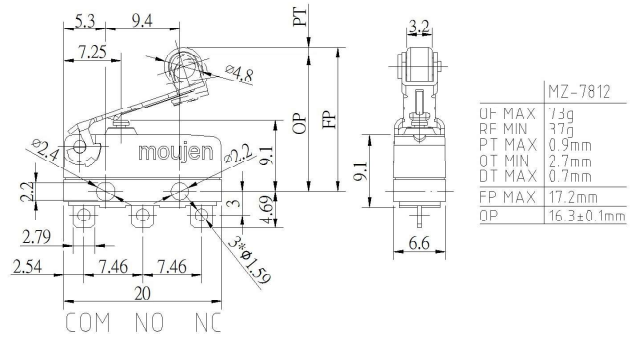
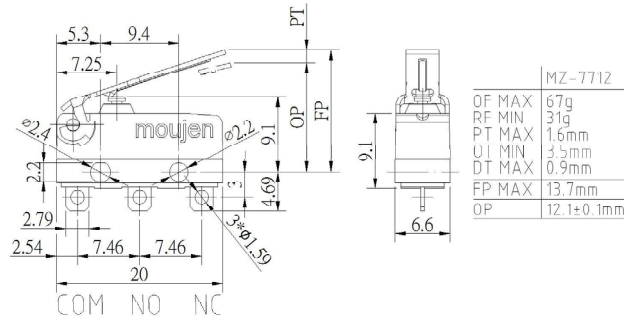
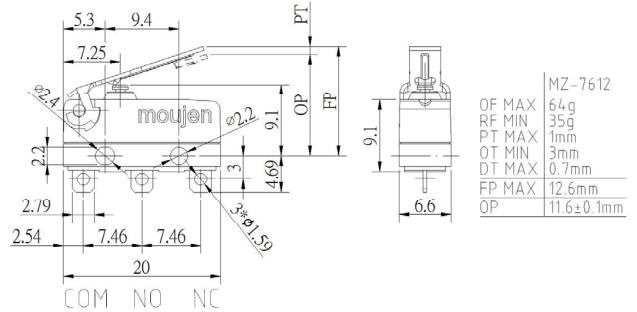
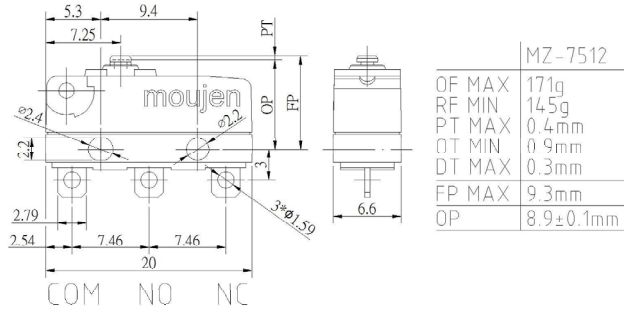
MZ-7911



MZ-7011

# MZ-7

## IP 60 Variants



MZ-7512



MZ-7612



MZ-7712



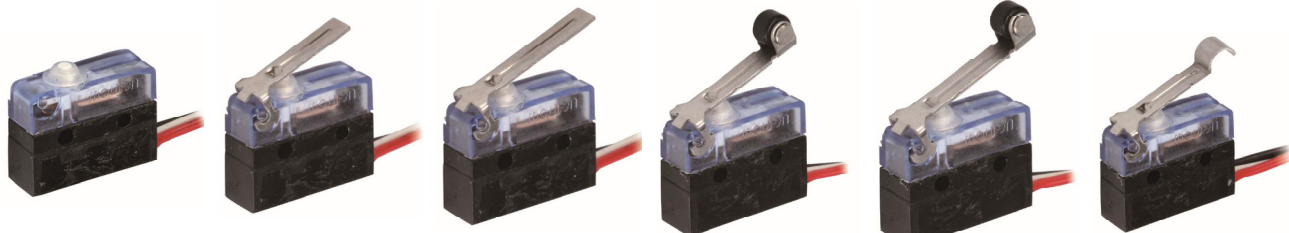
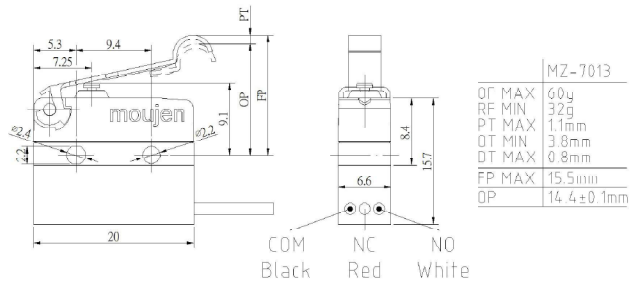
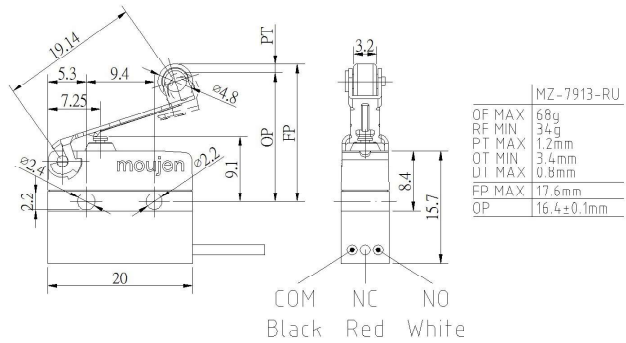
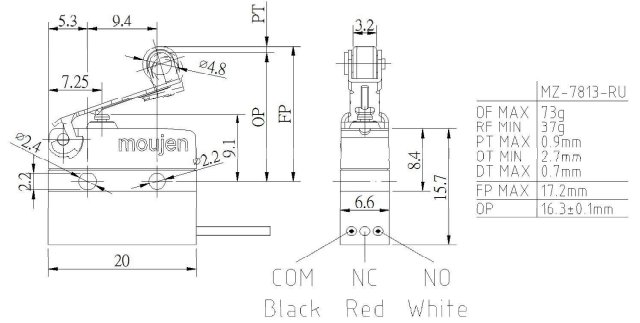
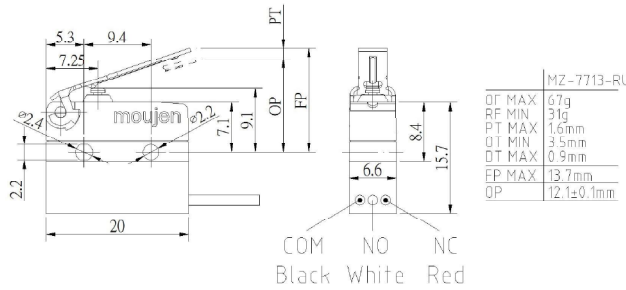
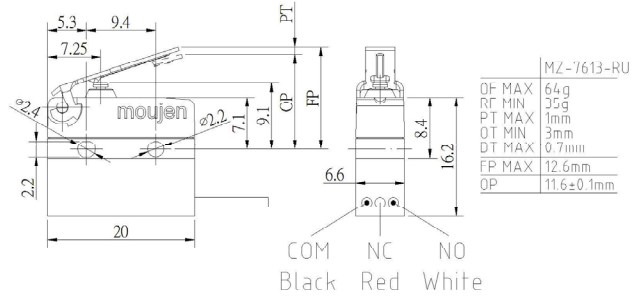
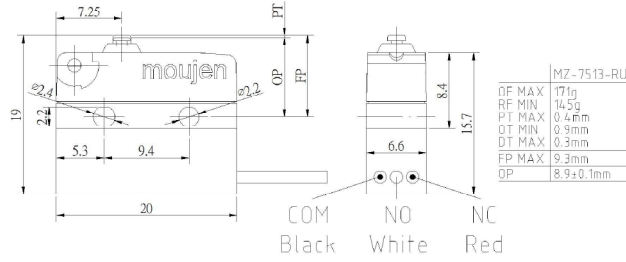
MZ-7812



MZ-7912



MZ-7012

**MZ-7**
**IP 67 Variants (right-side)**


MZ-7513-R

MZ-7613-R

MZ-7713-R

MZ-7813-R

MZ-7913-R

MZ-7013-R